

## Item description/product images



## Description

**Material:**

Stainless steel 1.4401.

**Version:**

Bright.

**Note:**

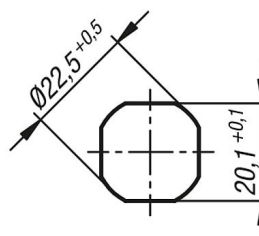
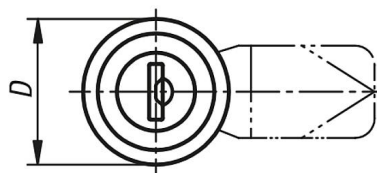
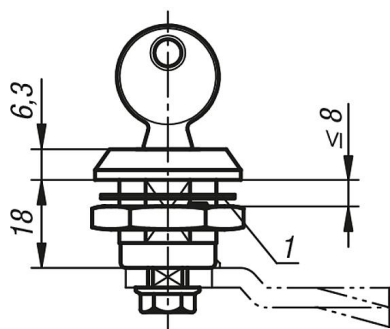
The quarter turn lock can be installed pre-assembled. Housing with fastening nut and plate cylinder, same key locking, incl. 2 keys.

Please order required tongue version separately. Every tongue can be combined with every housing.

**Drawing reference:**

1) flat seal

## Drawings



## Overview of items

Order No.	Actuation	D
05566-06-18	key	30